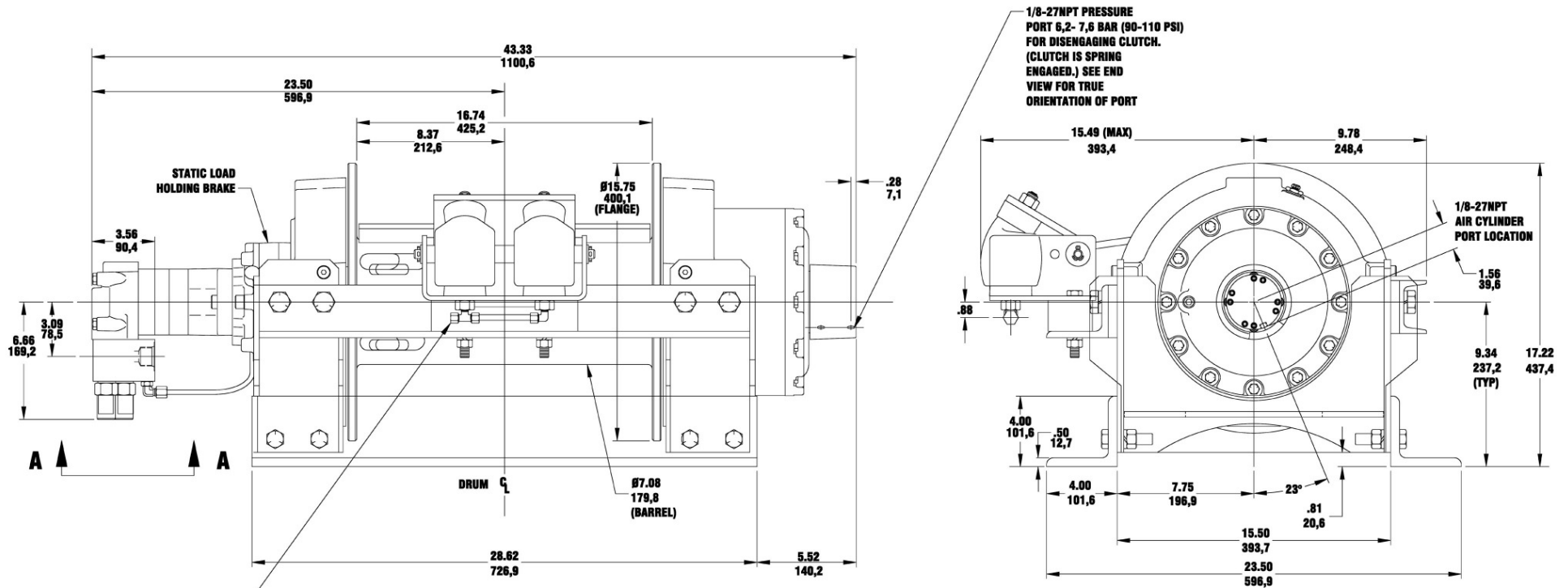


Ramsey RPH 133,4

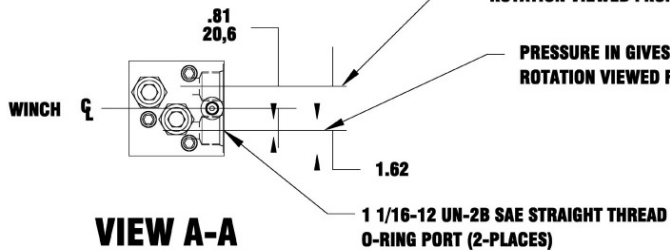


DIMENSIONS SHOWN ARE INCHES OVER MILLIMETERS

BRASS COMPRESSION FITTING WITH TAPERED SLEEVE FOR 1/4" DIAMETER TUBING AIR PRESSURE FOR TENSIONER 3,4 - 6,2 BAR (50-90 PSI)

PRESSURE IN GIVES COUNTER-CLOCKWISE DRUM ROTATION VIEWED FROM MOTOR END.

PRESSURE IN GIVES CLOCKWISE DRUM ROTATION VIEWED FROM MOTOR END.



VIEW A-A

MOTOR CONTROL VALVE DETAIL